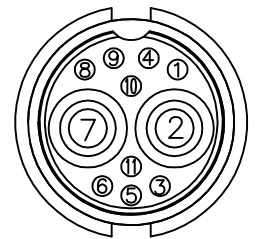
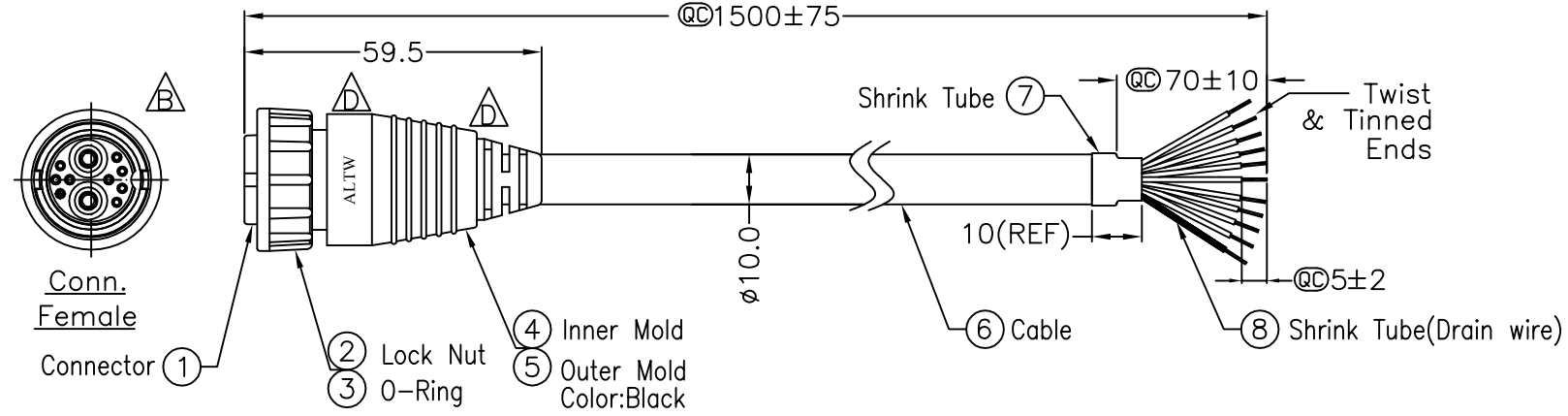


REV.	ECN NO.	DATE	SIGN	DESCRIPTION
B	LE3-880035	2008/08/14	Dominic	Change Cable spec, pinout, connector design
C	LEN1150010	2011/04/26	Tao-Cheng	ADD CABLE WRAPPING DRAWING
D	LEN1380052	2013/07/24	Ruru	Modify the SR & Change Logo



Pin Assignments Front View

11	Green	綠	20AWG	NMEA 0183	NMEA RX1-VE
10	Drain	地線	24AWG	CGND	CGND
9	Brown	棕	20AWG	NMEA 0183	NMEA TX1-VE
8	Yellow	黃	20AWG	NMEA 0183	NMEA TX1+VE
7	Black	黑	14AWG	POWER	NEGATIVE
6	Orange/White	橘/白	20AWG	NMEA 0183	NMEA RX2+VE
5	Orange/Green	橘/綠	20AWG	NMEA 0183	NMEA RX2-VE
4	Orange/Brown	橘/棕	20AWG	NMEA 0183	NMEA TX2-VE
3	White	白	20AWG	NMEA 0183	NMEA RX1+VE
2	Red	紅	14AWG	POWER	POSITIVE
1	Orange/Yellow	橘/黃	20AWG	NMEA 0183	NMEA TX2+VE
Conn.	Wire Color			Function	Signal

Pin Out

Note:
 * @@Important Dimension.
 * Waterproof Rate: IP67
 * Connector: Nylon+GF, Black
 * Female Pins: Copper Alloy, Gold Plated
 * Nut: Nylon+GF, Black
 * Ring: EPDM, Black
 * Cable: NONUL, 8C*20AWG+2C*14AWG+Drain+Al.My. (PVC Jacket), OD=φ10.0mm, Black

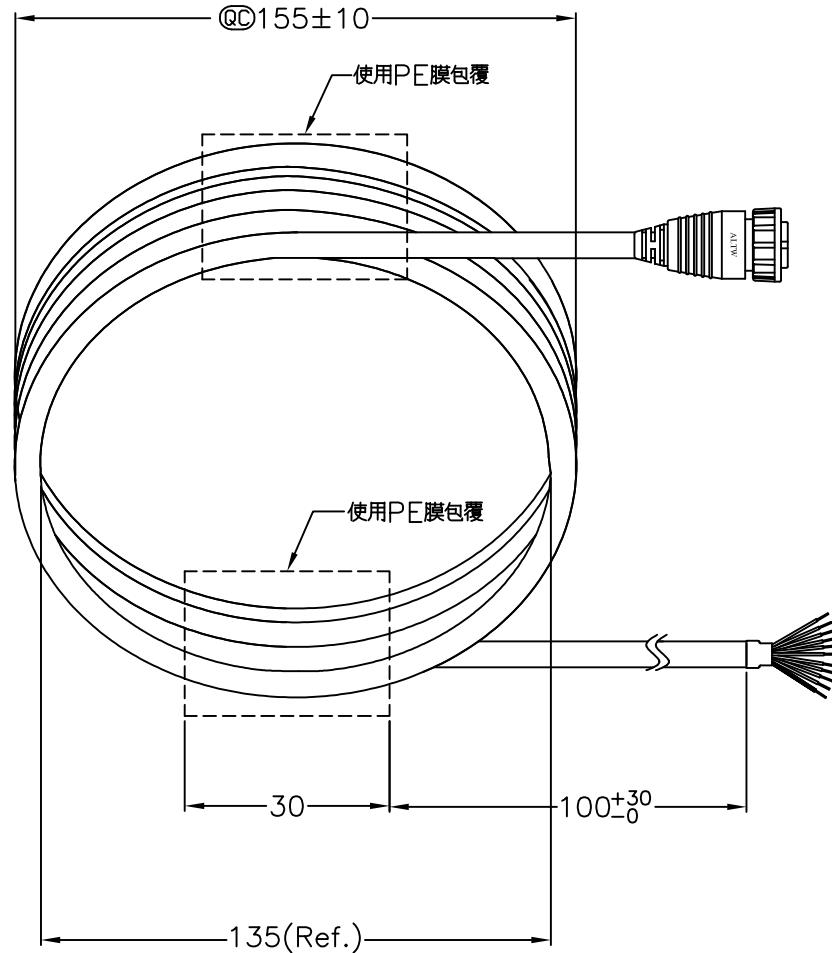
UNIT:mm		TITLE Large Size 11Pins(Power+Signal) F Conn F Pin
TOLERANCE ±0.5 mm	SCALE Free	SHEET 1 OF 2
REV. D	SIZE A4	QC :Inspection Item

Amphenol LTW
 安費諾亮泰企業股份有限公司

ITEM NO R-DCD-11AFFM-LC	DRAWN BY Ruru	DATE 2013/07/24
DWG NO R-DCD-11AFFM-LC	CHECKED BY Rita	DATE 2013/07/24
CUSTOMER LT000390	APPROVED BY Maslow	DATE 2013/07/24

THIS DOCUMENT IS SUBJECT TO CHANGE WITHOUT NOTICE. IT IS CONFIDENTIAL AND A PROPERTY OF Amphenol LTW. DISCLOSURE TO THIRD PARTY HAS TO BE AUTHORIZED BY Amphenol LTW.

THIS DOCUMENT IS SUBJECT TO CHANGE WITHOUT NOTICE. IT IS CONFIDENTIAL AND A PROPERTY OF Amphenol LTW. DISCLOSURE TO THIRD PARTY HAS TO BE AUTHORIZED BY Amphenol LTW.



UNIT:mm	
TOLERANCE	
±0.5 mm	

TITLE Large Size 11Pins(Power+Signal) F Conn F Pin		
SCALE Free	SHEET 2 OF 2	
REV. D	SIZE A4	QC :Inspection Item

Amphenol LTW
安費諾亮泰企業股份有限公司

ITEM NO R-DCD-11AFFM-LC	DRAWN BY Ruru
DWG NO R-DCD-11AFFM-LC	CHECKED BY Rita
CUSTOMER LT000390	APPROVED BY Maslow

DATE 2013/07/24
DATE 2013/07/24
DATE 2013/07/24